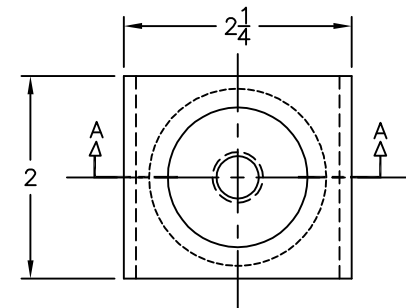
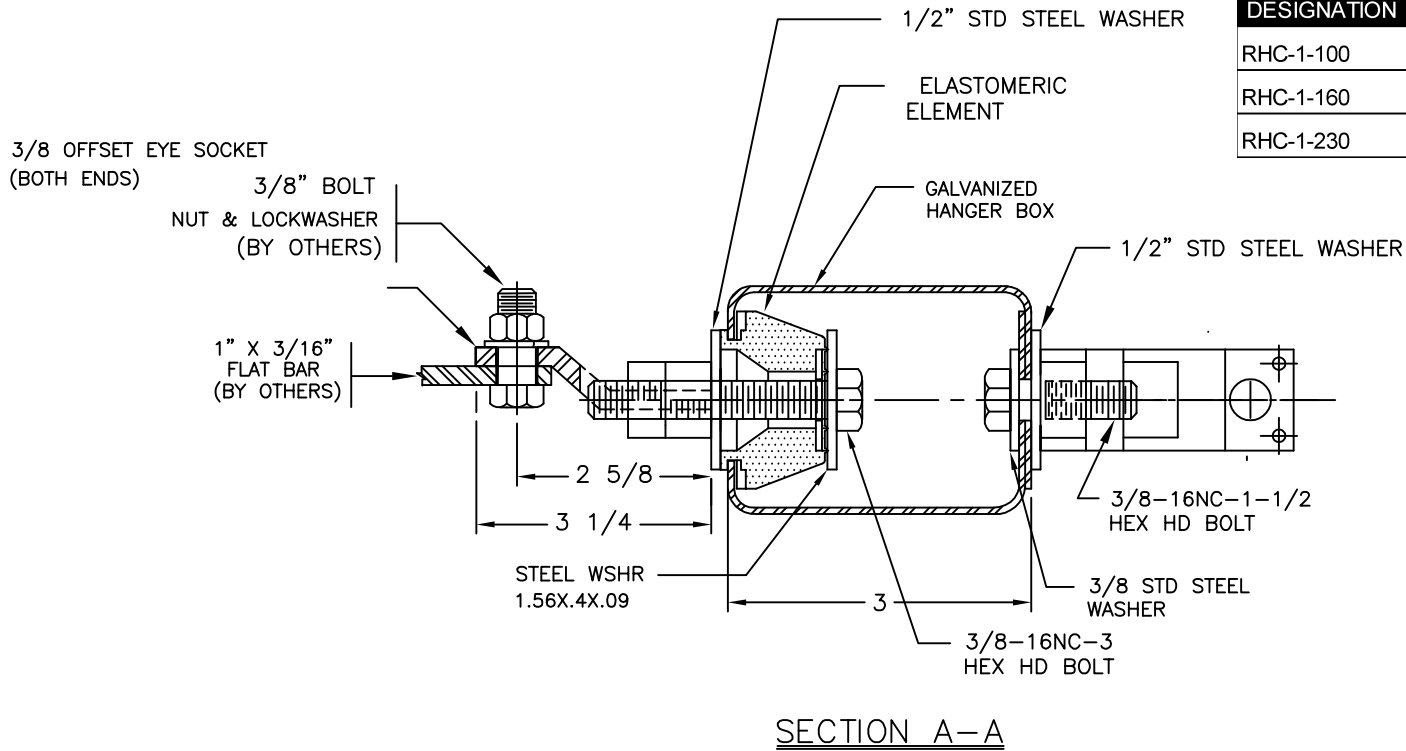


135R-103375 REV.: 2

REV.	DESCRIPTION	DATE	BY

MODEL DESIGNATION	MAX LOAD (LBS.)	DEFLECTION (IN.)	COLOR CODE
RHC-1-100	100	0.25	WHITE
RHC-1-160	160	0.25	GREEN
RHC-1-230	230	0.25	RED



NOTES:

1. ALL DIMENSIONS IN INCHES. INTERPRET PER ANSI Y14.
2. RUBBER IS BRIDGE BEARING, NEOPRENE OR EQUIVALENT.

OTHER MATERIALS, COMPOUNDS, OR FINISHES WITH EQUAL OR SUPERIOR PROPERTIES MAY BE SUBSTITUTED AS THEY BECOME AVAILABLE.

CERTIFIED FOR:

JOB NAME: _____
 CUSTOMER : _____
 CUSTOMER P.O.: _____
 SALES ORDER: _____

**MODEL RHC 100-230 LBS.
 ELASTOMERIC CEILING
 ISOLATED HANGER WITH
 OFFSET EYELET
 0.25 DEFLECTION**



THE VMC GROUP
The Power of Together
 Bloomingdale, NJ 07403
 Houston, TX 77041

SCALE :

NONE

SHEET:



DRAWING NO.:

REVISION